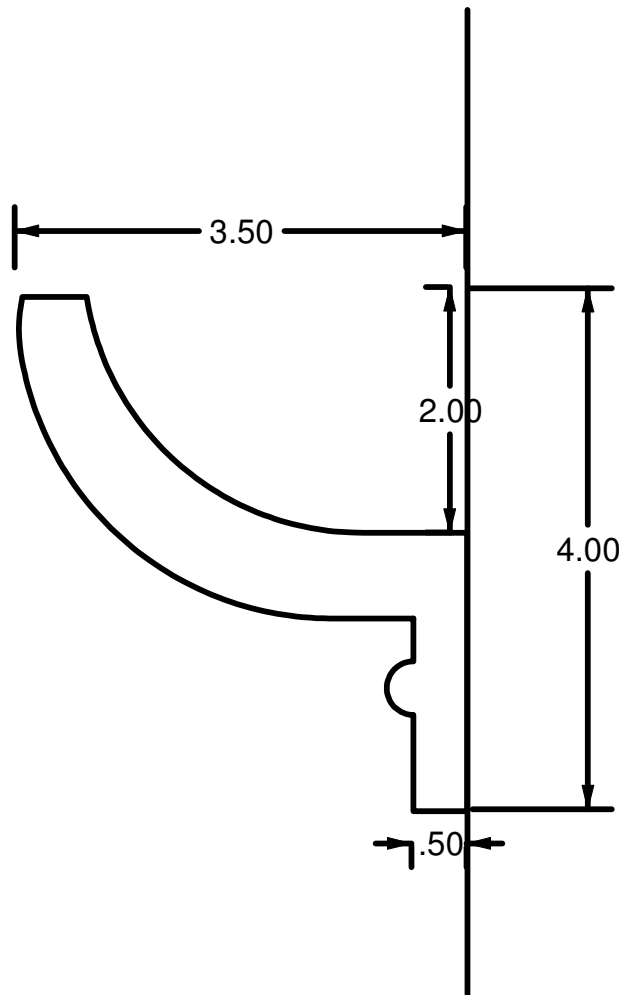


RECCOMENDED FOR USE WITH LED OR FLEX TAPE STRIP

MATERIAL: CONSTRUCTED FROM AN EXTRUDED POLYSTYRENE BASE, A FLEXIBLE CEMENTITIOUS BASECOAT AND A REVOLUTIONARY, SMOOTH POLYMER MODIFIED PLASTER FINISH.

NOTES: THE LOOK AND FEEL OF A SEAMLESS PLASTER COVE. FABRICATED IN 8' LENGTHS, CUT AND MITRED TO FIT, THEN PRIMED AND PAINTED IN THE FIELD.



LUMAROC MOUNTS TO THE WALL USING SHEET ROCK SCREWS AND A GYPSUM BASED DRY WALL COMPOUND TO THE BACK AND TO THE JOINTS.

LIGHTING FIXTURES SHOULD BE MOUNTED TO THE WALL INDEPENDENT OF THE COVE FITTING.

LIGHT WEIGHT DESIGN.
LUMAROC IS A STABLE LUMINAIRE FITTING THAT WILL NOT CRACK SHRINK OR SWELL.

LUMAROC MODERN LRMC-3500-4000

SCALE:
NONE

DATE:
09/10/2011

DRAWN BY:
MJW

SHEET:
1 of 1

CLASSIC COVES

PO BOX 266 GARWOOD, NJ 07027

Phone 908-344-1776

Fax: 908-345-6176

www.classiccoves.com

FIRE RATED - ASTME-84