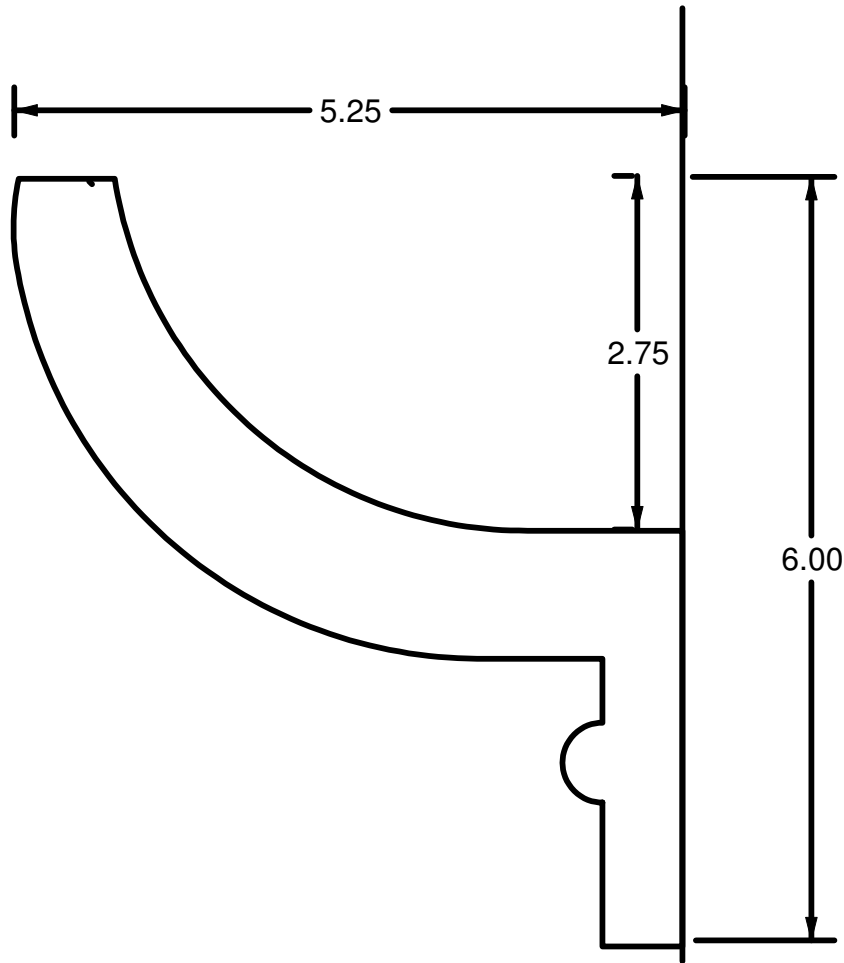


RECCOMENDED FOR USE WITH LED COVE LUMINAIRES
OR T5 FLUORESCENT STRIP



MATERIAL: CONSTRUCTED FROM AN EXTRUDED
POLYSTYRENE BASE, A FLEXIBLE CEMENTITIOUS
BASECOAT AND A REVOLUTIONARY, SMOOTH
POLYMER MODIFIED PLASTER FINISH.

NOTES: THE LOOK AND FEEL OF A SEAMLESS
PLASTER COVE. FABRICATED IN 8' LENGTHS,
CUT AND MITRED TO FIT, THEN PRIMED AND
PAINTED IN THE FIELD.

LUMAROC MOUNTS TO THE WALL USING
SHEET ROCK SCREWS AND A GYPSUM BASED
DRY WALL COMPOUND TO THE BACK AND
TO THE JOINTS.

LIGHTING FIXTURES SHOULD BE MOUNTED
TO THE WALL INDEPENDENT OF THE COVE
FITTING.

LIGHT WEIGHT DESIGN.
LUMAROC IS A STABLE LUMINAIRE FITTING
THAT WILL NOT CRACK SHRINK OR SWELL.

FIRE RATED - ASTME-84

LUMAROC MODERN
LRMC-5250-6000

SCALE:
NONE

DATE:
09/10/2011

DRAWN BY:
MJW

SHEET:
1 of 1

CLASSIC COVES

PO BOX 266 GARWOOD, NJ 07027

Phone 908-344-1776

Fax: 908-345-6176

www.classiccoves.com