

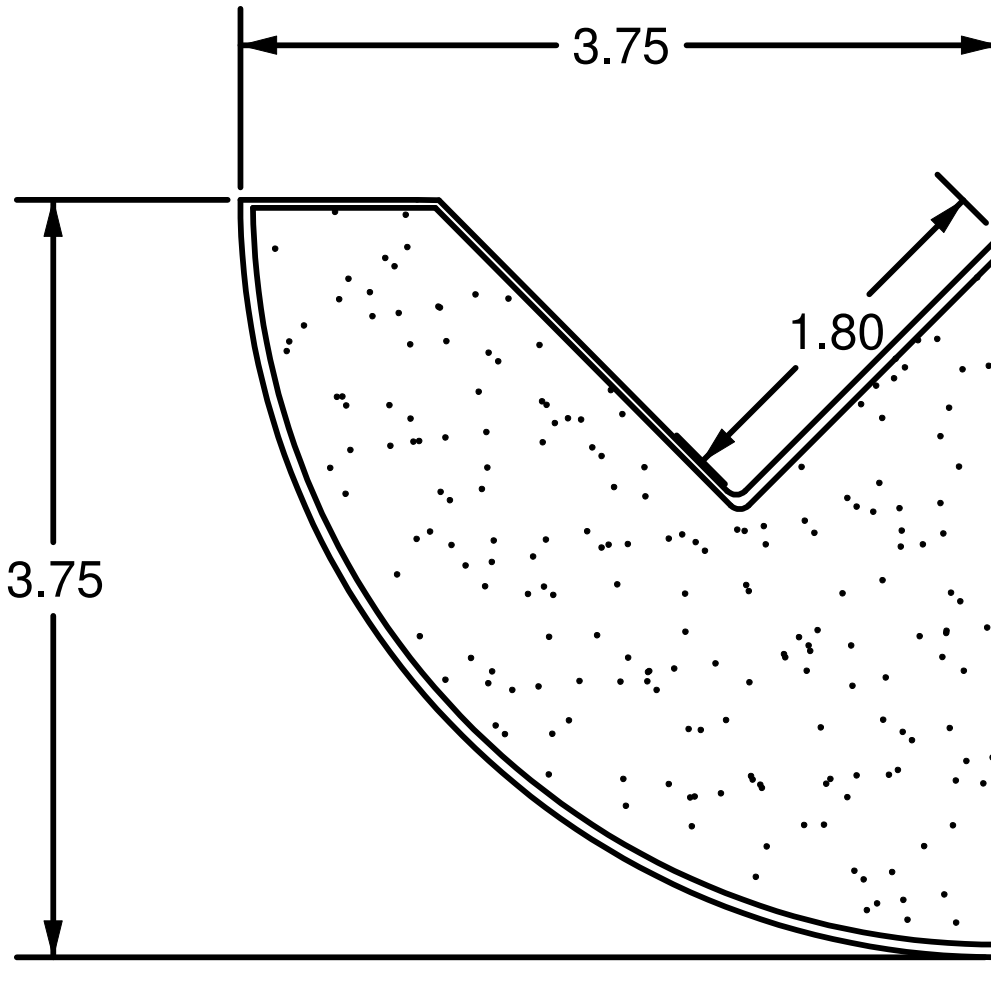
RECCOMENDED TO BE USED WITH INCANDESCENT FESTOON OR LED LIGHTING

MATERIAL: CONSTRUCTED FROM AN EXTRUDED POLYSTYRENE BASE, A FLEXIBLE CEMENTITIOUS BASECOAT AND A REVOLUTIONARY, SMOOTH POLYMER MODIFIED PLASTER FINISH.

NOTES: THE LOOK AND FEEL OF A SEAMLESS PLASTER COVE FABRICATED IN 8' LENGTHS, CUT AND MITRED TO FIT, THEN PRIMED AND PAINTED IN THE FIELD.

LUMAROC MOUNTS TO THE WALL USING SHEET ROCK SCREWS AND A GYPSUM BASED DRYWALL COMPOUND TO THE BACK AND TO THE JOINTS.

LIGHT WEIGHT DESIGN.
LUMAROC IS A STABLE LUMINAIRE FITTING THAT WILL NOT CRACK SHRINK OR SWELL.



FIRE RATED - ASTME-84

LUMAROC 1/4 ROUND LRQR-3750-3750

SCALE:
NONE

DATE:
03/13/2010

DRAWN BY:
MJW

SHEET:
1 of 1

CLASSIC COVES

PO BOX 266 GARWOOD, NJ 07027

Phone 908-344-1776

Fax: 908-345-6176

www.classiccoves.com